

CONCEPT OF SCREEN

DIMENSIONS							
Size	PT d	L	H1	H2	H3	□A	고
15A	1/2"	62	27	28	43	50	
20A	3/4"	68	32	32	52	56	
25A	1"	80	36	42	65	62	
32A	1 1/4"	96	45	51	78	78	
40A	1 1/2"	114	53	60	93	92	
50A	2"	134	67	71	116	112	

No	Name of Parts	Material	Q'ty	Remarks
7	Drain Plug	STS304	1	
6	Plane Washer	STS304	4	
5	Hex Bolt	STS304	4	
4	Gasket	TH3000	1	
3	Screen	STS304	1	
2	Cover	SCS13	1	
1	Body	SCS13	1	

BILL OF MATERIAL

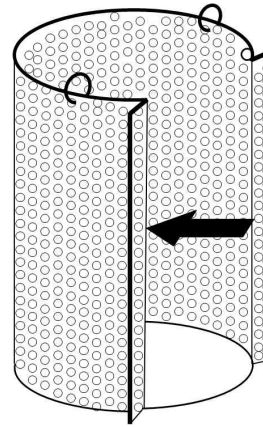
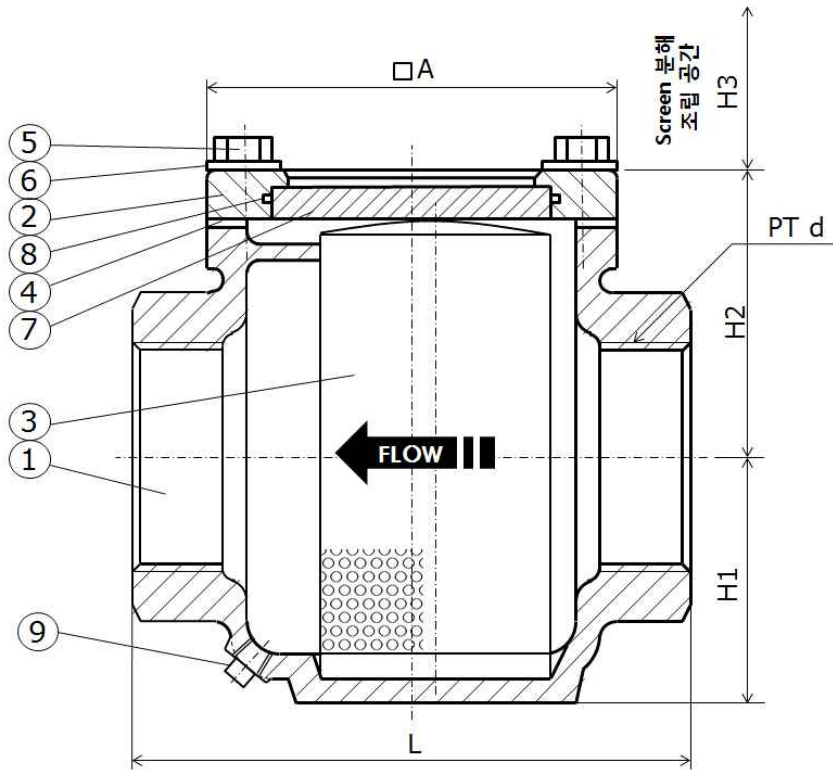
SPECIFICATIONS			
Applicable Fluid	Hot & Cold Water		
Working Pressure	0.35 ~ 10kg/cm ² G		
Applicable Temperature	Max. 120°C		
Connection	KS PT Screwed		
Screen Data	Size	15A-32A	40A-50A
	Standard	타공 0.8mm	타공 1.5mm
	Optional	Wire net (메쉬스크린)	

* Wire net ; 20,40,60,80,100,200,300,400Mesh

ITEM	OMEGA STRAINER(Standard)		
MODEL	OMS-10S	DWG No	OMS-10S-01
SIZE	15A-50A	DATE	2019.3.5



Better savings
Better efficiency



CONCEPT OF SCREEN



Mesh Screen

DIMENSIONS							
Size	PT d	L	H1	H2	H3	□A	고
15A	1/2"	62	27	30	43	50	
20A	3/4"	68	32	34	52	56	
25A	1"	80	36	44	65	62	
32A	1 1/4"	96	45	53	78	78	
40A	1 1/2"	114	53	62	93	92	
50A	2"	134	67	74	116	112	

No	Name of Parts	Material	Q ty	Remarks
9	Drain Plug	STS304	1	
8	O-Ring	Viton	1	
7	Sight Glass	R.Glass	1	
6	Plane Washer	STS304	4	
5	He Bolt	STS304	4	
4	Gasket	NBR	1	
3	Screen	STS304	1	
2	Cover	SCS13	1	
1	Body	SCS13	1	

BILL OF MATERIAL

SPECIFICATIONS			
Applicable Fluid	Hot & Cold Water		
Working Pressure	0.35 ~ 10kg/cm ² G		
Applicable Temperature	Max. 120℃		
Connection	KS PT Screwed		
Screen Data	Size	15A-32A	40A-50A
	Standard	타공 0.8mm	타공 1.5mm
	Optional	Wire net(메쉬스크린)	

* Wire net : 20,40,60,80,100,200,300,400Mesh

ITEM	OMEGA STRAINER(Sight Glass)		
MODEL	OMS-10S	DWG No	OMS-10S-02
SIZE	15A-50A	DATE	2019.2.10



Better savings
Better efficiency