

FOR INFORMATION

27	Cap	SS400	
26	Adjusting Screw	STS304	
25	Top Spring Seat	SS400	
24	Spring	SWOSC-B	
23	Hex Bolt	STS304	
22	Spring Case	SS400	
21	Hex Bolt	STS304	
20	Hex Nut	STS304	
19	Hex Nut	STS304	
18	Hex Bolt	STS304	
17	Bottom Spring Seat	SS400	
16	Diaphragm Plate	SS400	
15	Diaphragm Seat	SS400	
14	Diaphragm	NBR	
13	Diaphragm Cover	SS400	
12	Diaphragm Case	SS400	
11	Spacer Flange	STS316	
10	O-Ring	NBR	
9	O-Ring	NBR	
8	O-Ring	NBR	
6	Stem	STS316	
5	Seat O-Ring	NBR	
4	Disc Holder	STS316	
3	Disc	NBR	
2	Seat	STS316	
1	Body	A351CF8M	
No	Name of Parts	Material	Remarks

BILL OF MATERIAL

SPECIFICATIONS

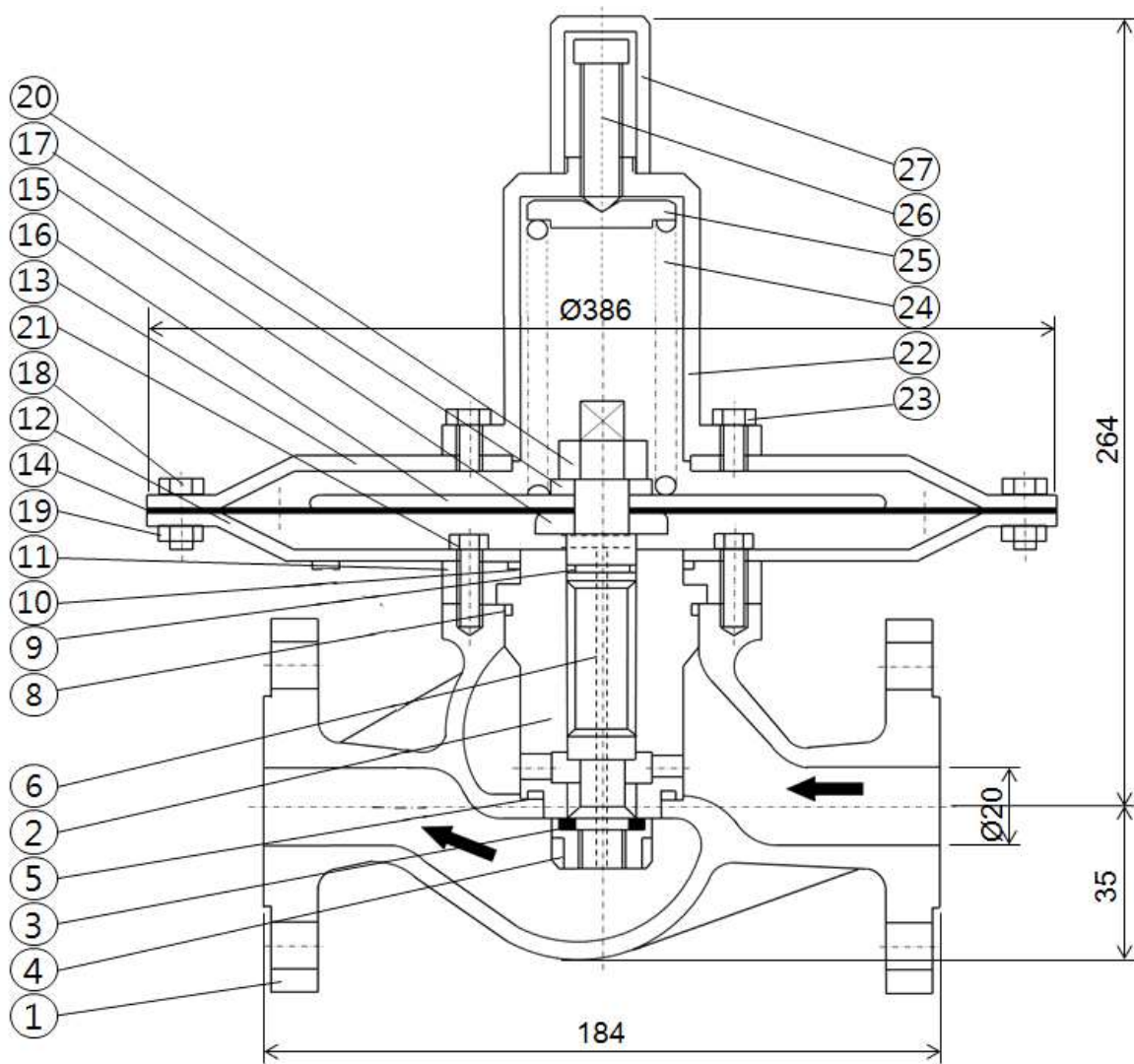
Model/ Type	MPR-SD10 / Diaphragm
Applicable 1 st Pressure	Max.5bar
Setting Spring Range	0.005~0.012bar (Setted 0.005bar)
Applicable Fluid	Nitrogen
Applicable Temperature	Max. 80°C
Body Materials	Stainless Steel A351CF8M
Connection	ANSI 150Lb RF Flanged

ITEM			
MODEL		MPR-SD10	DWG No
SIZE		1/2(15A)	DATE



OMEGA VALVE

Better savings
Better efficiency



FOR INFORMATION

27	Cap	SS400	
26	Adjusting Screw	STS304	
25	Top Spring Seat	SS400	
24	Spring	SWOSC-B	
23	Hex Bolt	STS304	
22	Spring Case	SS400	
21	Hex Bolt	STS304	
20	Hex Nut	STS304	
19	Hex Nut	STS304	
18	Hex Bolt	STS304	
17	Bottom Spring Seat	SS400	
16	Diaphragm Plate	SS400	
15	Diaphragm Seat	SS400	
14	Diaphragm	NBR	
13	Diaphragm Cover	SS400	
12	Diaphragm Case	SS400	
11	Spacer Flange	STS316	
10	O-Ring	NBR	
9	O-Ring	NBR	
8	O-Ring	NBR	
7	Sensing Tube	PE TUBE	
6	Stem	STS316	
5	Seat O-Ring	NBR	
4	Disc Holder	STS316	
3	Disc	NBR	
2	Seat	STS316	
1	Body	A351CF8M	
No	Name of Parts	Material	Remarks

BILL OF MATERIAL

SPECIFICATIONS

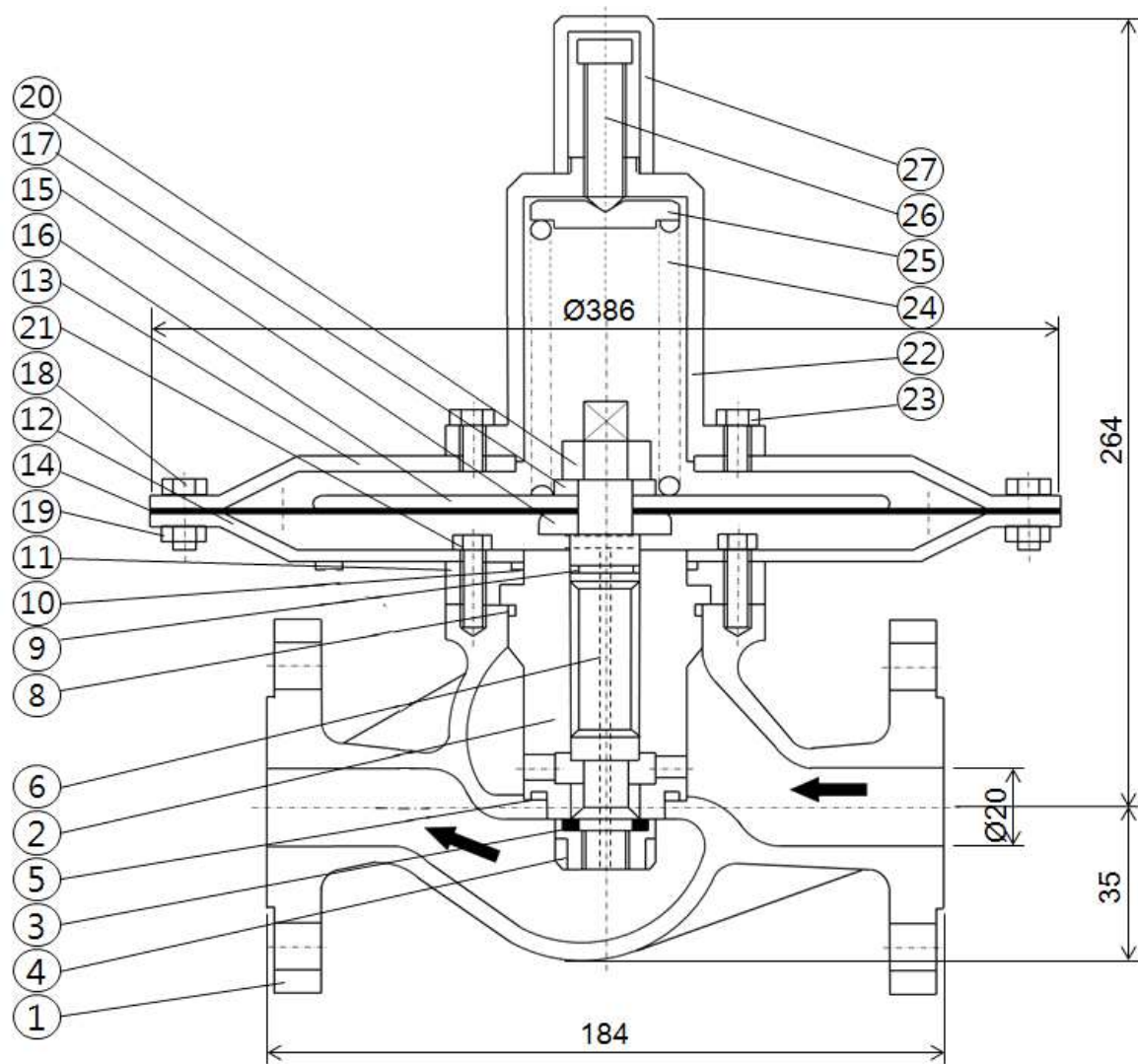
Model/ Type	MPR-SD10 / Diaphragm
Applicable 1 st Pressure	Max.5bar
Setting Spring Range	0.005~0.012bar (Setted 0.01bar)
Applicable Fluid	Nitrogen
Applicable Temperature	Max. 80°C
Body Materials	Stainless Steel A351CF8M
Connection	ANSI 300Lb RF Flanged

ITEM PRESSURE REDUCING VALVE			
MODEL	MPR-SD10	DWG No	PRV-574A
SIZE	3/4(20A)	DATE	2020.10.21



OMEGA VALVE

Better savings
Better efficiency



FOR INFORMATION

27	Cap	SS400	
26	Adjusting Screw	STS304	
25	Top Spring Seat	SS400	
24	Spring	SWOSC-B	
23	Hex Bolt	STS304	
22	Spring Case	SS400	
21	Hex Bolt	STS304	
20	Hex Nut	STS304	
19	Hex Nut	STS304	
18	Hex Bolt	STS304	
17	Bottom Spring Seat	SS400	
16	Diaphragm Plate	SS400	
15	Diaphragm Seat	SS400	
14	Diaphragm	NBR	
13	Diaphragm Cover	SS400	
12	Diaphragm Case	SS400	
11	Spacer Flange	STS316	
10	O-Ring	NBR	
9	O-Ring	NBR	
8	O-Ring	NBR	
7	Sensing Tube	PE TUBE	
6	Stem	STS316	
5	Seat O-Ring	NBR	
4	Disc Holder	STS316	
3	Disc	NBR	
2	Seat	STS304	
1	Body	SCS13A	
No	Name of Parts	Material	Remarks

BILL OF MATERIAL

SPECIFICATIONS

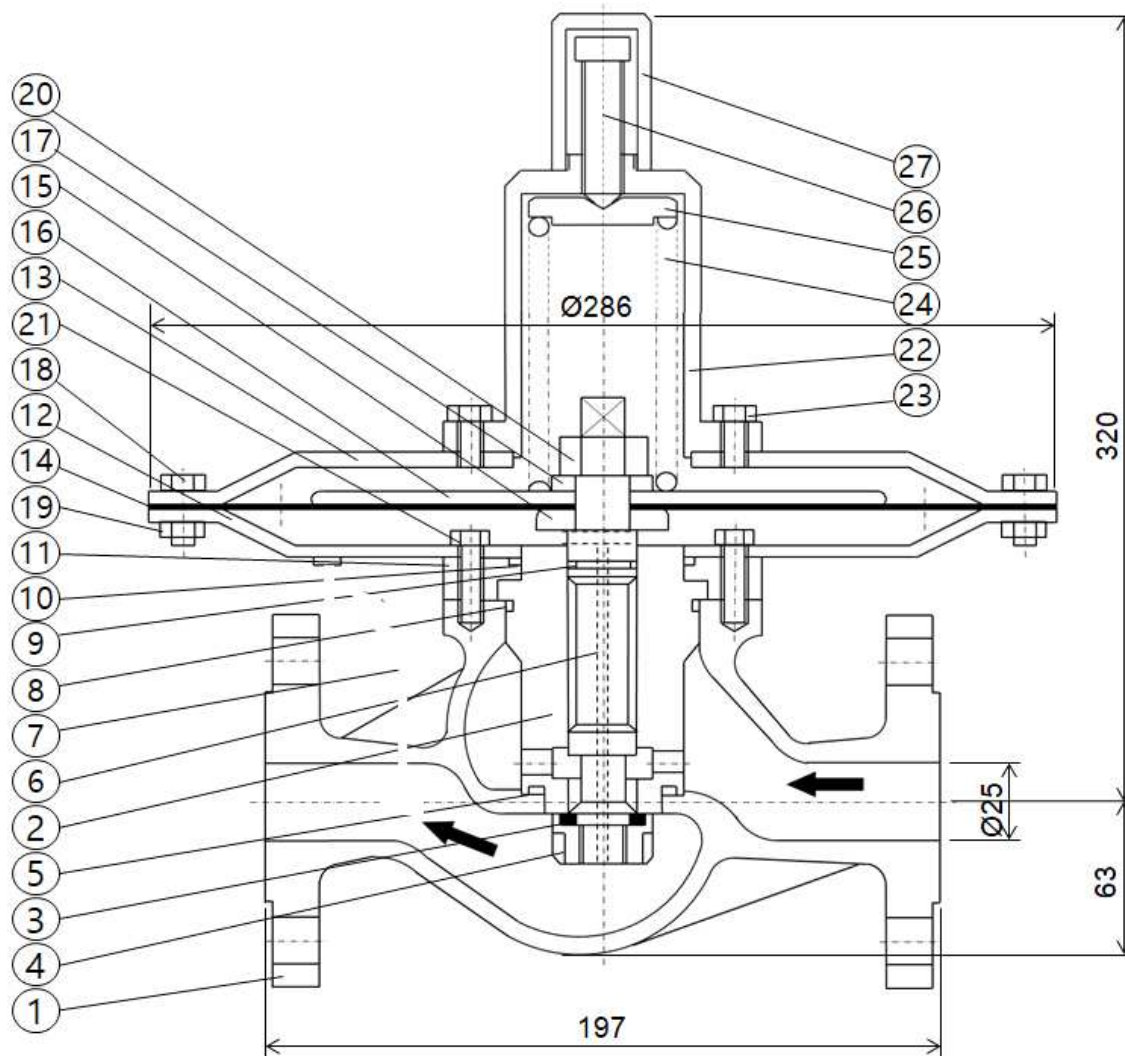
Model/ Type	MPR-SD10 / Diaphragm
Applicable 1 st Pressure	Max.5bar
Setting Spring Range	0.012~0.025bar (Setted 0.015bar)
Applicable Fluid	Nitrogen
Applicable Temperature	Max. 80°C
Body Materials	Stainless Steel SCS13A
Connection	KS 10K RF Flanged

ITEM				PRESSURE REDUCING VALVE			
MODEL	MPR-SD10	DWG No	PRV-574A				
SIZE	3/4(20A)	DATE	2021.3.28				



OMEGA VALVE

Better savings
Better efficiency



27	Cap	SS400	
26	Adjusting Screw	STS304	
25	Top Spring Seat	SS400	
24	Spring	SWOSC-B	
23	Hex Bolt	STS304	
22	Spring Case	SS400	
21	Hex Bolt	STS304	
20	Hex Nut	STS304	
19	Hex Nut	STS304	
18	Hex Bolt	STS304	
17	Bottom Spring Seat	SS400	
16	Diaphragm Plate	SS400	
15	Diaphragm Seat	SS400	
14	Diaphragm	NBR	
13	Diaphragm Cover	SS400	
12	Diaphragm Case	SS400	
11	Spacer Flange	STS304	
10	O-Ring	NBR	
9	O-Ring	NBR	
8	O-Ring	NBR	
7	Sensing Tube	PE TUBE	
6	Stem	STS304	
5	Seat O-Ring	NBR	
4	Disc Holder	STS304	
3	Disc	NBR	
2	Seat	STS304	
1	Body	SCS13	
No	Name of Parts	Material	Remarks

BILL OF MATERIAL

SPECIFICATIONS

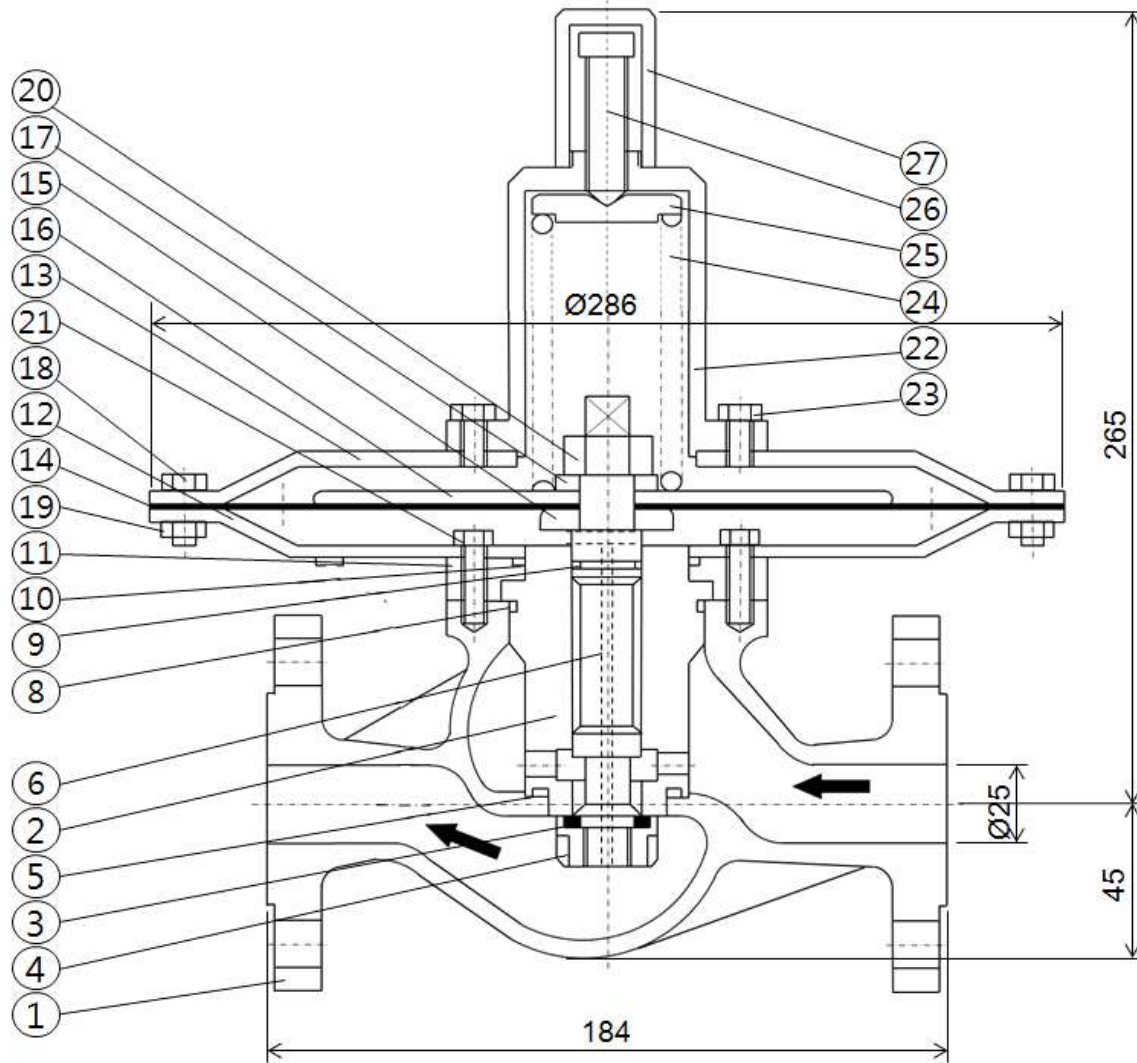
Model/ Type	MPR-SD10
Applicable 1 st Pressure	Max.15bar
Setting Spring Range	0.17~0.25bar (Setted 0.2bar)
Applicable Fluid	Air & Gas
Applicable Temperature	Max. 80°C
Body Materials	Stainless Steel SCS13
Connection	KS 20K RF Flange

ITEM PRESSURE REDUCING VALVE			
MODEL	MPR-SD10F	DWG No	MPR-10F-003
SIZE	25A	DATE	2020.02.13



OMEGA VALVE

Better savings
Better efficiency



FOR INFORMATION

27	Cap	SS400	
26	Adjusting Screw	STS304	
25	Top Spring Seat	SS400	
24	Spring	SWOSC-B	
23	Hex Bolt	STS304	
22	Spring Case	SS400	
21	Hex Bolt	STS304	
20	Hex Nut	STS304	
19	Hex Nut	STS304	
18	Hex Bolt	STS304	
17	Bottom Spring Seat	SS400	
16	Diaphragm Plate	SS400	
15	Diaphragm Seat	SS400	
14	Diaphragm	NBR	
13	Diaphragm Cover	SS400	
12	Diaphragm Case	SS400	
11	Spacer Flange	STS304	
10	O-Ring	NBR	
9	O-Ring	NBR	
8	O-Ring	NBR	
7	Sensing Tube	PE TUBE	
6	Stem	STS304	
5	Seat O-Ring	NBR	
4	Disc Holder	STS304	
3	Disc	NBR	
2	Seat	STS304	
1	Body	A351CF8	
No	Name of Parts	Material	Remarks

BILL OF MATERIAL

SPECIFICATIONS

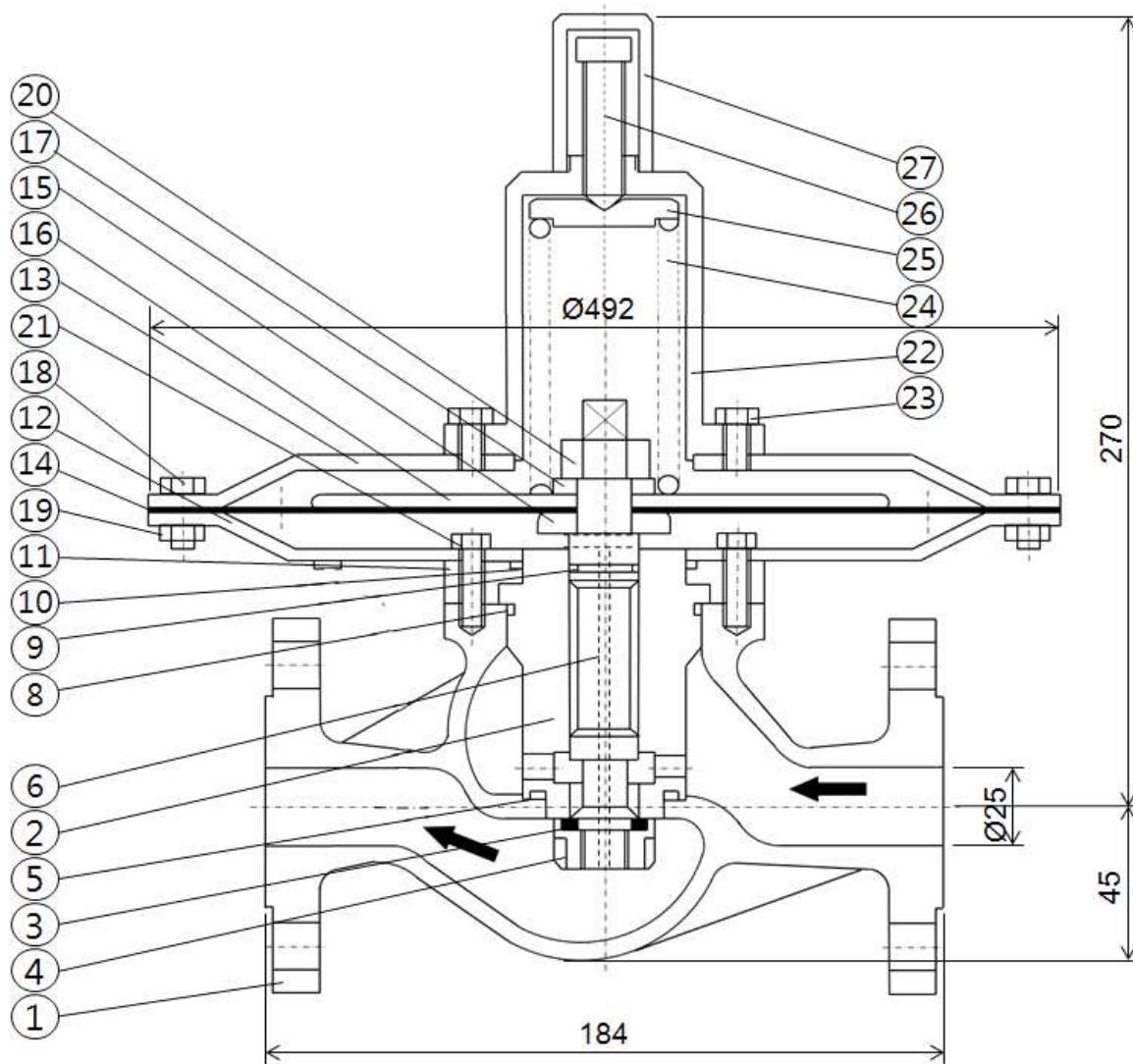
Model/ Type	MPR-SD10F / Diaphragm
Applicable 1 st Pressure	Max.7bar
Setting Spring Range	0.002~0.05bar (Setted 0.03bar)
Applicable Fluid	Nitrogen, Gas
Applicable Temperature	Max. 80°C
Body Materials	Carbon Steel A216WCB
Connection	KS 10K RF Flanged

ITEM PRESSURE REDUCING VALVE			
MODEL	MPR-SD10F	DWG No	MPR-10F-004
SIZE	25A	DATE	2020.10.20



OMEGA VALVE

Better savings
Better efficiency



FOR INFORMATION

27	Cap	SS400	
26	Adjusting Screw	STS304	
25	Top Spring Seat	SS400	
24	Spring	SWOSC-B	
23	Hex Bolt	STS304	
22	Spring Case	SS400	
21	Hex Bolt	STS304	
20	Hex Nut	STS304	
19	Hex Nut	STS304	
18	Hex Bolt	STS304	
17	Bottom Spring Seat	SS400	
16	Diaphragm Plate	SS400	
15	Diaphragm Seat	SS400	
14	Diaphragm	NBR	
13	Diaphragm Cover	SS400	
12	Diaphragm Case	SS400	
11	Spacer Flange	STS304	
10	O-Ring	NBR	
9	O-Ring	NBR	
8	O-Ring	NBR	
7	Sensing Tube	PE TUBE	
6	Stem	STS304	
5	Seat O-Ring	NBR	
4	Disc Holder	STS304	
3	Disc	NBR	
2	Seat	STS304	
1	Body	A351CF8M	
No	Name of Parts	Material	Remarks

BILL OF MATERIAL

SPECIFICATIONS

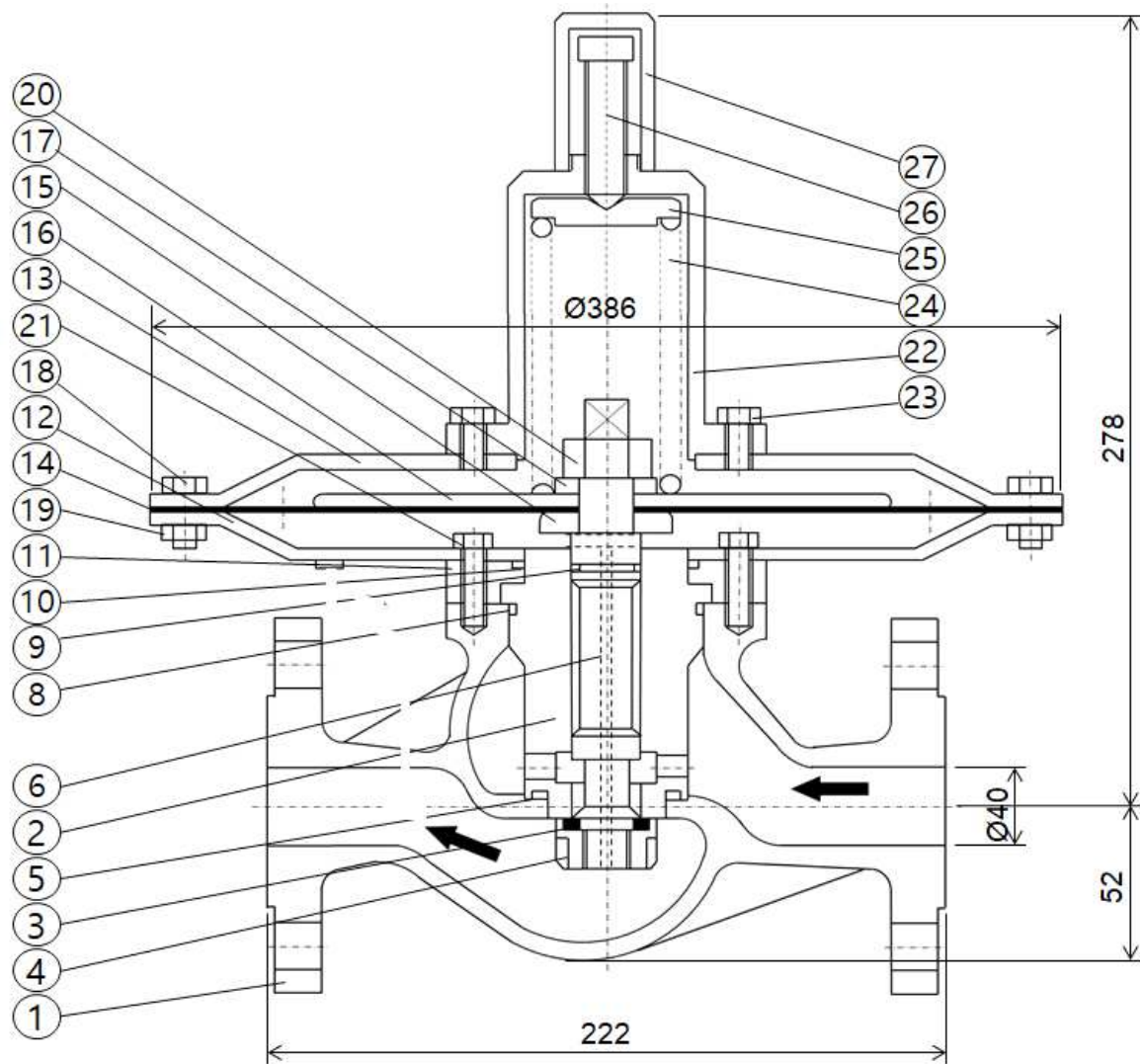
Model/ Type	MPR-SD10 / Diaphragm
Applicable 1 st Pressure	Max.5bar (Extra Max.8bar)
Setting Spring Range	0.005~0.012bar (Setted 0.005bar)
Applicable Fluid	Nitrogen
Applicable Temperature	Max. 80°C
Body Materials	Stainless Steel A351CF8M
Connection	ANSI 150Lb RF Flanged

ITEM PRESSURE REDUCING VALVE			
MODEL	MPR-SD10	DWG No	MPR-10F-004
SIZE	25A	DATE	2021.3.28



OMEGA VALVE

Better savings
Better efficiency



FOR APPROVAL

27	Cap	SS400	
26	Adjusting Screw	STS304	
25	Top Spring Seat	SS400	
24	Spring	SWOSC-B	
23	Hex Bolt	STS304	
22	Spring Case	SS400	
21	Hex Bolt	STS304	
20	Hex Nut	STS304	
19	Hex Nut	STS304	
18	Hex Bolt	STS304	
17	Bottom Spring Seat	SS400	
16	Diaphragm Plate	SS400	
15	Diaphragm Seat	SS400	
14	Diaphragm	NBR	
13	Diaphragm Cover	SS400	
12	Diaphragm Case	SS400	
11	Spacer Flange	STS316	
10	O-Ring	NBR	
9	O-Ring	NBR	
8	O-Ring	NBR	
6	Stem	STS316	
5	Seat O-Ring	NBR	
4	Disc Holder	STS316	
3	Disc	NBR	
2	Seat	STS316	
1	Body	A216WCB	
No	Name of Parts	Material	Remarks

BILL OF MATERIAL

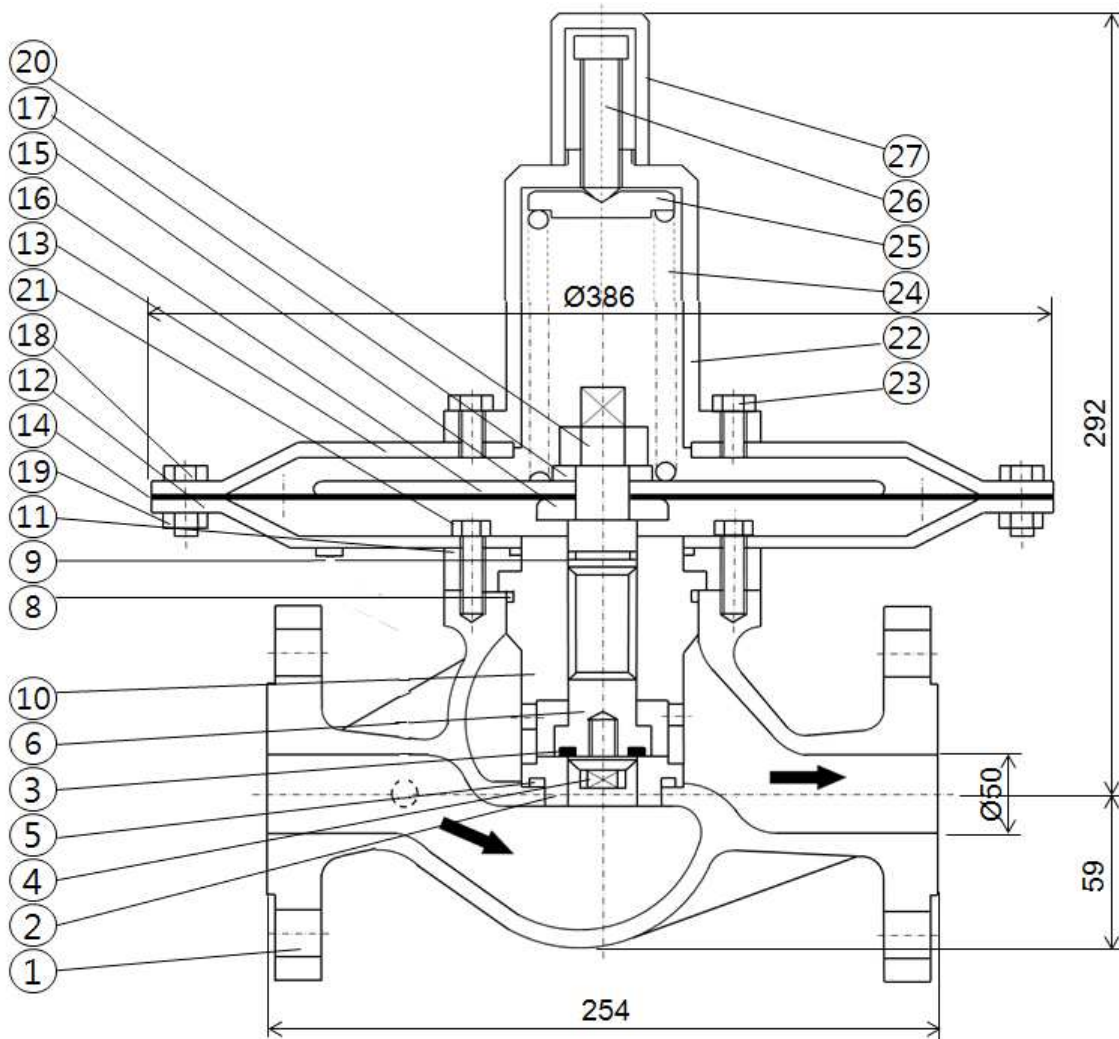
SPECIFICATIONS

Model/ Type	MPR-SD10 / Diaphragm
Applicable 1 st Pressure	Max.5bar
Setting Spring Range	0.15~0.25bar (Setted 0.2bar)
Applicable Fluid	Nitrogen
Applicable Temperature	Max. 80°C
Body Materials	Carbon Steel A216WCB
Connection	ANSI 150Lb RF Flanged

ITEM PRESSURE REDUCING VALVE			
MODEL	MPR-SD10	DWG No	MPR-SD1040
SIZE	1 1/2(40A)	DATE	2020.12.01

OMEGA VALVE

Better savings
Better efficiency



FOR APPROVAL

27	Cap	SS400	
26	Adjusting Screw	STS304	
25	Top Spring Seat	SS400	
24	Spring	SWOSC-B	
23	Hex Bolt	STS304	
22	Spring Case	SS400	
21	Hex Bolt	STS304	
20	Hex Nut	STS304	
19	Hex Nut	STS304	
18	Hex Bolt	STS304	
17	Bottom Spring Seat	SS400	
16	Diaphragm Plate	SS400	
15	Diaphragm Seat	SS400	
14	Diaphragm	NBR	
13	Diaphragm Cover	SS400	
12	Diaphragm Case	SS400	
11	Spacer Flange	STS316	
10	O-Ring	NBR	
9	O-Ring	NBR	
8	O-Ring	NBR	
6	Stem	STS316	
5	Seat O-Ring	NBR	
4	Disc Holder	STS316	
3	Disc	NBR	
2	Seat	STS316	
1	Body	A216WCB	
No	Name of Parts	Material	Remarks

BILL OF MATERIAL

SPECIFICATIONS

Model/ Type	MPR-SD10 / Diaphragm
Applicable 1 st Pressure	Max.5bar
Setting Spring Range	0.2~0.4bar (Setted 0.3bar)
Applicable Fluid	Nitrogen
Applicable Temperature	Max. 80°C
Body Materials	Carbon Steel A216WCB
Connection	ANSI 150Lb RF Flanged

ITEM				PRESSURE REDUCING VALVE			
MODEL	MPR-SD10	DWG No	MPR-SD1050				
SIZE	2" (50A)	DATE	2021.3.9				

OMEGA VALVE

Better savings
Better efficiency