

MAIN DIMENSIONS

Size	25A	32A	40A	50A	65A	80A	100A	125A	150A
L	184	184	222	254	276	298	352	400	452
H1	82	82	97	105	123	130	150	170	201
H2	262	262	305	320	420	436	540	612	720
ØA	166		240		286		386		

20	Cap	MC Nylon	
19	Top Spring Seat	SS400	
18	Spring Case	SS400	
17	Spring	SWOSC	
16	Diaphragm Cover	SS400	
15	Diaphragm Case	SS400	
14	Diaphragm Plate	STS304	
13	Diaphragm	EPDM	
12	Hex Nut	STS304	
11	Diaphragm Seat	STS304	
10	O-Ring	EPDM	
9	Cylinder	STS304	
8	Piston	STS304	
7	O-Ring	EPDM	
6	Bottom Guide	STS304	
5	Lock Nut	STS304	
4	Stem	STS304	
3	Disc	EPDM	
2	Seat	STS304	
1	Body	GCD/WCB	Optional 351CF8
No	Name of Parts	Material	Remarks

BILL OF MATERIAL

SPECIFICATIONS

Model/ Type	PRV-10F	PRV-20F
Applicable 1 st Pressure	Max.10bar	Max.20bar
Setting Spring Range	0.5~4bar/ 4~7bar/ 7-12bar	
Applicable Fluid	Air & Gas, Water	
Applicable Temperature	Max. 80°C	
Body Materials	GCD450, 216WCB, 351CF8	
Connection	Standard	KS 10K FF Flange KS 20K RF Flange
	Optional	ANSI 150Lb, 300Lb Flange

ITEM	PRESSURE REDUCING VALVE		
MODEL	PRV-10F/20F	DWG No	PRV-20F-001
SIZE	25A-150A	DATE	2018.10.20



OMEGA VALVE

Better savings
Better efficiency

16	Hex Nut	STS304	
15	Stud Bolt	STS304	
14	Cap	S45C	
13	Spring Case	STPG	
12	Adjusting Screw	SCM21	
11	Top Spring Seat	A36	
10	Main Spring	SUP11	
9	Cage Seal	Viton	
8	Seat Seal	Viton	
7	Stem Seal	NBR	
6	Piston Seal	NBR	
5	Disc Holder	STS316	
4	Disc	NBR	
3	Stem	STS316	
2	Cage & Seat	STS316	
1	Body	SCS13	
No	Name of Parts	Material	Remarks

BILL OF MATERIAL

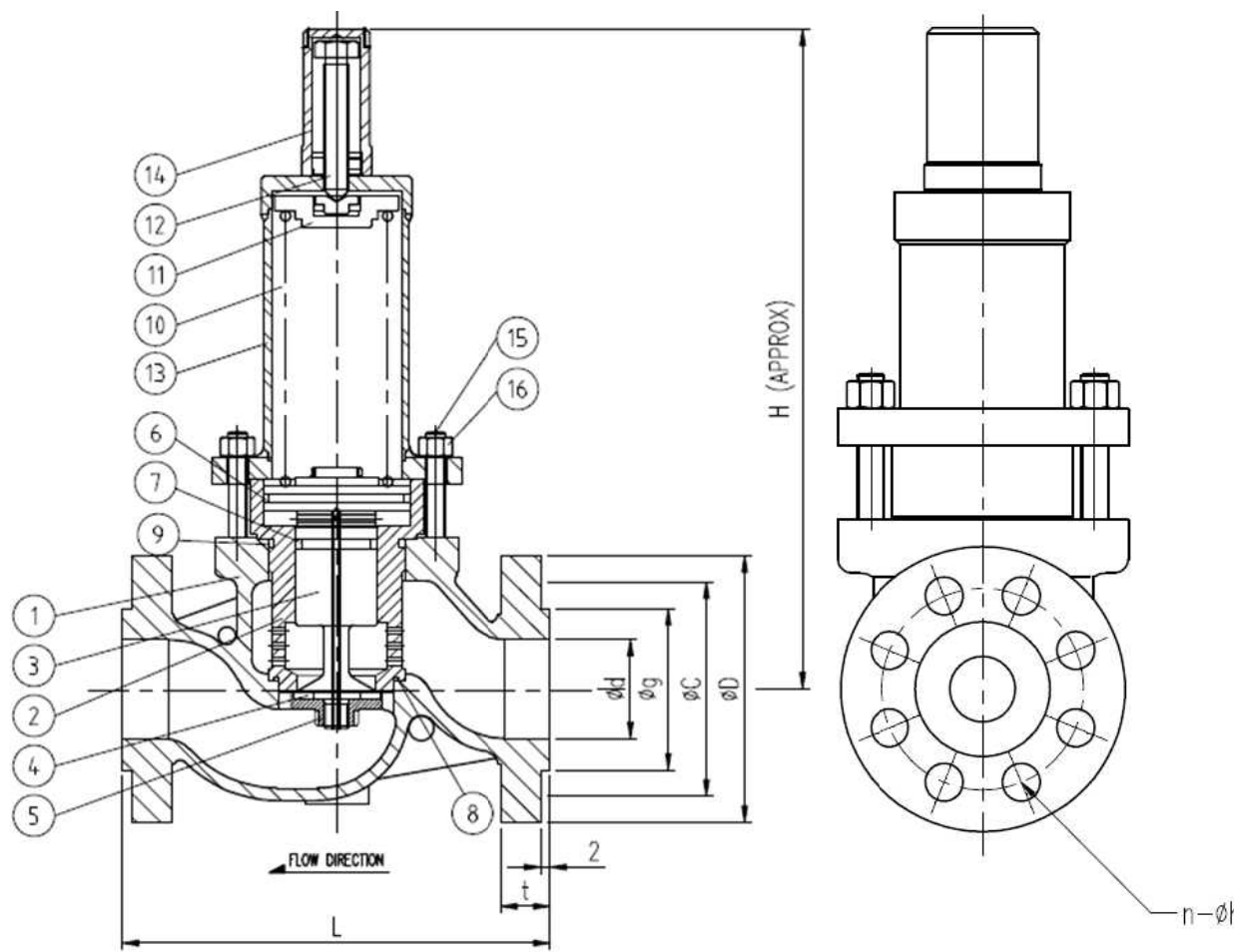
SPECIFICATIONS	
Applicable Fluid	N2,O2 Gas
Design Pressure	Max. 30kg/cm ² g
Applicable Temperature	Max. 80℃
Inlet Pressure	25kg/cm ² g
Set Pressure Range	7~12kg/cm ² g,12~22kg/cm ² g
Connection	KS 30K RF Flanged

FOR INFORMATION

ITEM	PRESSURE REDUCING VALVE		
MODEL	PRV-30F	DWG No	PRV-30F-06
SIZE	80-200A	DATE	2022.6.10



Better savings
Better efficiency



EXTERNAL DIMENSIONS									
Size	L	H	d	D	C	t	g	n-h	WT(kg)
80A	292	480	80	200	160	22	132	8-23	68
100A	368	570	100	240	195	32	160	8-25	115
150A	486	672	150	325	275	38	235	12-27	220
200A	530	896	200	375	320	42	280	12-27	430